

## MINI/CIRCULAR DINs: KMDGX Series Right Angle Mini-DIN

### Product Features

- PC99 Colors Available
- Shielded Options Available for Good Conductivity, Grounding and EMI/RFI Protection
- Mates with Standard and Snap and Lock Plugs
- Visual and Mechanical Polarization for Plug Insertion
- Reflow Compatible Design Available
- Gold Plated Contacts
- CSA/NRTL Certified File No. LR78160
- UL File No. E140125

### Performance Specifications

#### Materials and Finish

**Body**  
PBT Thermoplastic, Black, Purple, or Green Color

#### Contacts

Copper Alloy, Gold Plated

#### Shield

See Drawing

### Mechanical Characteristics

#### Insertion Force

4.5kg Max.

#### Extraction Force

0.4kg - 3.5kg

#### Durability

500 Cycles Min.

### Electrical Characteristics

#### Rated Current

2A

#### Rated Voltage

12V DC

#### Insulation Resistance

500 Megohm Min. at 500V DC

#### Contact Resistance

##### Before Durability Test

Plug to Terminals: 30 milliohms Max.

##### After Durability Test

Plug to Terminals: 60 milliohms Max.

#### Dielectric Withstanding Voltage

500V RMS AC for 1 Minute

#### Operating Temperature

-25°C to +80°C

2D Drawing	IGES	STEP	3D PDF
Solder Profile	CofC RoHS Compliant	CofC REACH Compliant	UL Plastic File
Certificate of Origin	Check Stock	Request a Sample	Send Us An Email

Generated Part Number

**KMDGX-3S-N**

Part Number Builder

KMDGX	-	3	S	N
Series		Number of Contacts	Contact Type	Option

#### Series

**KMDGX** - Right Angle PCB Mount Mini-DIN

#### Number of Contacts

- 3 Contacts
- 4 Contacts
- 5 Contacts
- 6 Contacts
- 7 Contacts
- 8 Contacts
- 9 Contacts
- 10 Contacts (10 Available only with BS option)

#### Contact Type

**S** - Receptacle

#### Shielding Option

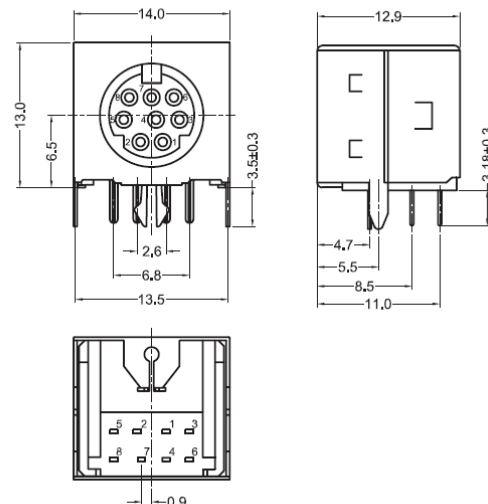
- N** - Non-Shielded
- AS** - Sides and Back Shielded
- BS** - Fully Shielded

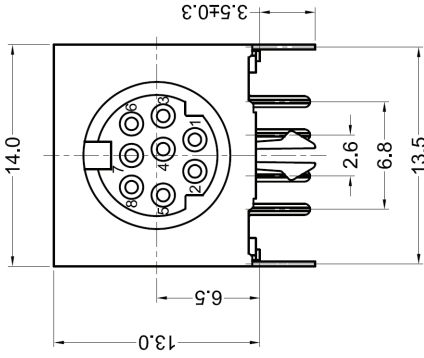
Contact Kycon for Other Options

### KMDGX Series

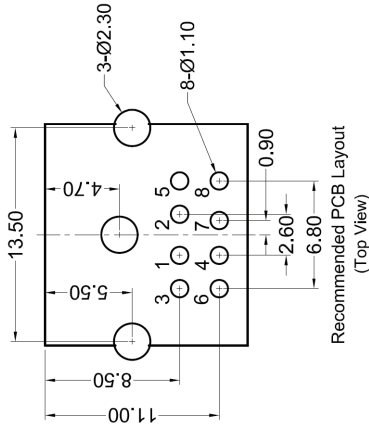
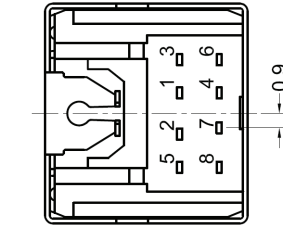
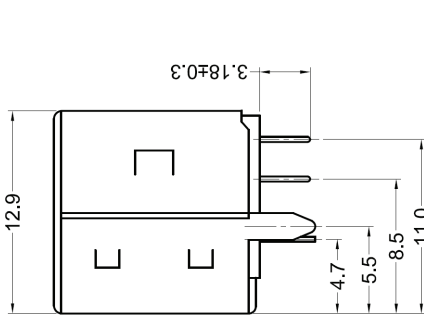
Dimensions in mm

KMDGX-8S-BS





KMDGX-8S-BS  
(8 position)



Recommended PCB Layout  
(Top View)

**Material and Finish**

Body: PBTThermoplastic,  
Color: Black  
Contacts: Copper Alloy  
Gold Flash Plated on Contact Area,  
Matte Tin Plating on Termination End,  
all over Nickel Underplate

Shield: SPCC, Tin Plated

**Electrical Characteristics**

Contact Resistance:  
Before Test:  
Plug to Terminals: 30 Milliohms Max.  
After Test:  
Plug to Terminals: 60 Milliohms Max.

Insulation Resistance:  
500 Megohms Min. at 500 VDC

Dielectric Withstanding Voltage:  
500V AC RMS For 1 Minute

Current Rating:  
2A at 12V DC

**Mechanical Characteristics**

Durability Test: 1000 Cycles  
Insertion Force: 3.0kg max.  
Extraction Force: 0.3kg - 3.0kg  
Operating Temperature: -25°C to +80°C



www.toby.co.uk



Tolerances
X.X ± 0.3
X.XX ± 0.15
Unless Stated Otherwise

REV.	DATE	DESCRIPTION	REV. BY	CHK. BY	DRAWN BY	DATE
C1	08/27/08	ECO# 08-065	S. Vien	H. MA	C. Leiva	11/24/04
C2	09/23/10	ECO #10-064	S. Vien	H. MA		
C3	05/27/11	ECO #11-020	S. Vien	H. MA		
C4	06/16/14	ECO #14-021	D. Gh	H. MA		
C5	02/17/15	ECO #15-017	H. MA	C. Furumasa		
C6	03/05/18	ECO #18-013	J. Elbanna	H. MA		

REV.	DATE	DESCRIPTION	REV. BY	CHK. BY	DRAWN BY	DATE
C1	08/27/08	ECO# 08-065	S. Vien	H. MA	C. Leiva	11/24/04
C2	09/23/10	ECO #10-064	S. Vien	H. MA		
C3	05/27/11	ECO #11-020	S. Vien	H. MA		
C4	06/16/14	ECO #14-021	D. Gh	H. MA		
C5	02/17/15	ECO #15-017	H. MA	C. Furumasa		
C6	03/05/18	ECO #18-013	J. Elbanna	H. MA		

REV.	DATE	DESCRIPTION	REV. BY	CHK. BY	DRAWN BY	DATE
C1	08/27/08	ECO# 08-065	S. Vien	H. MA	C. Leiva	11/24/04
C2	09/23/10	ECO #10-064	S. Vien	H. MA		
C3	05/27/11	ECO #11-020	S. Vien	H. MA		
C4	06/16/14	ECO #14-021	D. Gh	H. MA		
C5	02/17/15	ECO #15-017	H. MA	C. Furumasa		
C6	03/05/18	ECO #18-013	J. Elbanna	H. MA		

REV.	DATE	DESCRIPTION	REV. BY	CHK. BY	DRAWN BY	DATE
C1	08/27/08	ECO# 08-065	S. Vien	H. MA	C. Leiva	11/24/04
C2	09/23/10	ECO #10-064	S. Vien	H. MA		
C3	05/27/11	ECO #11-020	S. Vien	H. MA		
C4	06/16/14	ECO #14-021	D. Gh	H. MA		
C5	02/17/15	ECO #15-017	H. MA	C. Furumasa		
C6	03/05/18	ECO #18-013	J. Elbanna	H. MA		

REV.	DATE	DESCRIPTION	REV. BY	CHK. BY	DRAWN BY	DATE
C1	08/27/08	ECO# 08-065	S. Vien	H. MA	C. Leiva	11/24/04
C2	09/23/10	ECO #10-064	S. Vien	H. MA		
C3	05/27/11	ECO #11-020	S. Vien	H. MA		
C4	06/16/14	ECO #14-021	D. Gh	H. MA		
C5	02/17/15	ECO #15-017	H. MA	C. Furumasa		
C6	03/05/18	ECO #18-013	J. Elbanna	H. MA		

REV.	DATE	DESCRIPTION	REV. BY	CHK. BY	DRAWN BY	DATE
C1	08/27/08	ECO# 08-065	S. Vien	H. MA	C. Leiva	11/24/04
C2	09/23/10	ECO #10-064	S. Vien	H. MA		
C3	05/27/11	ECO #11-020	S. Vien	H. MA		
C4	06/16/14	ECO #14-021	D. Gh	H. MA		
C5	02/17/15	ECO #15-017	H. MA	C. Furumasa		
C6	03/05/18	ECO #18-013	J. Elbanna	H. MA		

REV.	DATE	DESCRIPTION	REV. BY	CHK. BY	DRAWN BY	DATE
C1	08/27/08	ECO# 08-065	S. Vien	H. MA	C. Leiva	11/24/04
C2	09/23/10	ECO #10-064	S. Vien	H. MA		
C3	05/27/11	ECO #11-020	S. Vien	H. MA		
C4	06/16/14	ECO #14-021	D. Gh	H. MA		
C5	02/17/15	ECO #15-017	H. MA	C. Furumasa		
C6	03/05/18	ECO #18-013	J. Elbanna	H. MA		

REV.	DATE	DESCRIPTION	REV. BY	CHK. BY	DRAWN BY	DATE
C1	08/27/08	ECO# 08-065	S. Vien	H. MA	C. Leiva	11/24/04
C2	09/23/10	ECO #10-064	S. Vien	H. MA		
C3	05/27/11	ECO #11-020	S. Vien	H. MA		
C4	06/16/14	ECO #14-021	D. Gh	H. MA		
C5	02/17/15	ECO #15-017	H. MA	C. Furumasa		
C6	03/05/18	ECO #18-013	J. Elbanna	H. MA		

REV.	DATE	DESCRIPTION	REV. BY	CHK. BY	DRAWN BY	DATE
C1	08/27/08	ECO# 08-065	S. Vien	H. MA	C. Leiva	11/24/04
C2	09/23/10	ECO #10-064	S. Vien	H. MA		
C3	05/27/11	ECO #11-020	S. Vien	H. MA		
C4	06/16/14	ECO #14-021	D. Gh	H. MA		
C5	02/17/15	ECO #15-017	H. MA	C. Furumasa		
C6	03/05/18	ECO #18-013	J. Elbanna	H. MA		

REV.	DATE	DESCRIPTION	REV. BY	CHK. BY	DRAWN BY	DATE
C1	08/27/08	ECO# 08-065	S. Vien	H. MA	C. Leiva	11/24/04
C2	09/23/10	ECO #10-064	S. Vien	H. MA		
C3	05/27/11	ECO #11-020	S. Vien	H. MA		
C4	06/16/14	ECO #14-021	D. Gh	H. MA		
C5	02/17/15	ECO #15-017	H. MA	C. Furumasa		
C6	03/05/18	ECO #18-013	J. Elbanna	H. MA		

REV.	DATE	DESCRIPTION	REV. BY	CHK. BY	DRAWN BY	DATE
C1	08/27/08	ECO# 08-065	S. Vien	H. MA	C. Leiva	11/24/04
C2	09/23/10	ECO #10-064	S. Vien	H. MA		
C3	05/27/11	ECO #11-020	S. Vien	H. MA		
C4	06/16/14	ECO #14-021	D. Gh	H. MA		
C5	02/17/15	ECO #15-017	H. MA	C. Furumasa		
C6	03/05/18	ECO #18-013	J. Elbanna	H. MA		

REV.	DATE	DESCRIPTION	REV. BY	CHK. BY	DRAWN BY	DATE
C1	08/27/08	ECO# 08-065	S. Vien	H. MA	C. Leiva	11/24/04
C2	09/23/10	ECO #10-064	S. Vien	H. MA		
C3	05/27/11	ECO #11-020	S. Vien	H. MA		
C4	06/16/14	ECO #14-021	D. Gh	H. MA		
C5	02/17/15	ECO #15-017	H. MA	C. Furumasa		
C6	03/05/18	ECO #18-013	J. Elbanna	H. MA		

REV.	DATE	DESCRIPTION	REV. BY	CHK. BY	DRAWN BY	DATE
C1	08/27/08	ECO# 08-065	S. Vien	H. MA	C. Leiva	11/24/04
C2	09/23/10	ECO #10-064	S. Vien	H. MA		
C3	05/27/11	ECO #11-020	S. Vien	H. MA		
C4	06/16/14	ECO #14-021	D. Gh	H. MA		
C5	02/17/15	ECO #15-017	H. MA	C. Furumasa		
C6	03/05/18	ECO #18-013	J. Elbanna	H. MA		

REV.	DATE	DESCRIPTION	REV. BY	CHK. BY	DRAWN BY	DATE
C1	08/27/08	ECO# 08-065	S. Vien	H. MA	C. Leiva	11/24/04
C2	09/23/10	ECO #10-064	S. Vien	H. MA		
C3	05/27/11	ECO #11-020	S. Vien	H. MA		
C4	06/16/14	ECO #14-021	D. Gh	H. MA		
C5	02/17/15	ECO #15-017	H. MA	C. Furumasa		
C6	03/05/18	ECO #18-013	J. Elbanna	H. MA		

REV.	DATE	DESCRIPTION	REV. BY	CHK. BY	DRAWN BY	DATE
C1	08/27/08	ECO# 08-065	S. Vien	H. MA	C. Leiva	11/24/04
C2	09/23/10	ECO #10-064	S. Vien	H. MA		
C3	05/27/11	ECO #11-020	S. Vien	H. MA		
C4	06/16/14	ECO #14-021	D. Gh	H. MA		
C5	02/17/15	ECO #15-017	H. MA	C. Furumasa		
C6	03/05/18	ECO #18-013	J. Elbanna	H. MA		

REV.	DATE	DESCRIPTION	REV. BY	CHK. BY	DRAWN BY	DATE
C1	08/27/08	ECO# 08-065	S. Vien	H. MA	C. Leiva	11/24/04
C2	09/23/10	ECO #10-064	S. Vien	H. MA		
C3	05/27/11	ECO #11-020	S. Vien	H. MA		
C4	06/16/14	ECO #14-021	D. Gh	H. MA		
C5	02/17/15	ECO #15-017	H. MA	C. Furumasa		
C6	03/05/18	ECO #18-013	J. Elbanna	H. MA		

REV.	DATE	DESCRIPTION	REV. BY	CHK. BY	DRAWN BY	DATE
C1	08/27/08	ECO# 08-065	S. Vien	H. MA	C. Leiva	11/24/04
C2	09/23/10	ECO #10-064	S. Vien	H. MA		
C3	05/27/11	ECO #11-020	S. Vien	H. MA		
C4	06/16/14	ECO #14-021	D. Gh	H. MA		
C5	02/17/15	ECO #15-017	H. MA	C. Furumasa		
C6	03/05/18	ECO #18-013	J. Elbanna	H. MA		

REV.	DATE	DESCRIPTION	REV. BY	CHK. BY	DRAWN BY	DATE
C1	08/27/08	ECO# 08-065	S. Vien	H. MA	C. Leiva	11/24/04
C2	09/23/10	ECO #10-064	S. Vien	H. MA		
C3	05/27/11	ECO #11-020	S. Vien	H. MA		
C4	06/16/14	ECO #14-021	D. Gh	H. MA		
C5	02/17/15	ECO #15-017	H. MA	C. Furumasa		
C6	03/05/18	ECO #18-013	J. Elbanna	H. MA		

REV.	DATE	DESCRIPTION	REV. BY	CHK. BY	DRAWN BY	DATE
C1	08/27/08	ECO# 08-065	S. Vien	H. MA	C. Leiva	11/24/04
C2	09/23/10	ECO #10-064	S. Vien	H. MA		
C3	05/27/11	ECO #11-020	S. Vien	H. MA		
C4	06/16/14	ECO #14-021	D. Gh	H. MA		
C5	02/17/15	ECO #15-017	H. MA	C. Furumasa		
C6	03/05/18	ECO #18-013	J. Elbanna	H. MA		

REV.	DATE	DESCRIPTION	REV. BY	CHK. BY	DRAWN BY	DATE
C1	08/27/08	ECO# 08-065	S. Vien	H. MA	C. Leiva	11/24/04
C2	09/23/10	ECO #10-064	S. Vien	H. MA		
C3	05/27/11	ECO #11-020	S. Vien	H. MA		
C4	06/16/14	ECO #14-021	D. Gh	H. MA		
C5	02/17/15	ECO #15-017	H. MA	C. Furumasa		
C6	03/05/18	ECO #18-013	J. Elbanna	H. MA		

REV.	DATE	DESCRIPTION	REV. BY	CHK. BY	DRAWN BY	DATE
C1	08/27/08	ECO# 08-065	S. Vien	H. MA	C. Leiva	11/24/04
C2	09/23/10	ECO #10-064	S. Vien	H. MA		
C3	05/27/11	ECO #11-020	S. Vien	H. MA		
C4	06/16/14	ECO #14-021	D. Gh	H. MA		
C5	02/17/15	ECO #15-017	H. MA	C. Furumasa		
C6	03/05/18	ECO #18-013	J. Elbanna	H. MA		

REV.	DATE	DESCRIPTION	REV. BY	CHK. BY	DRAWN BY	DATE
C1	08/27/08					