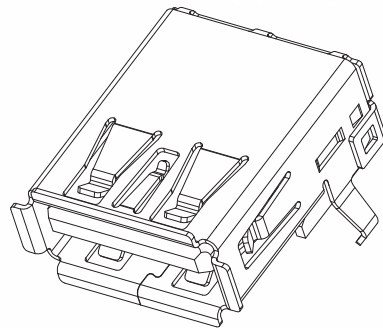
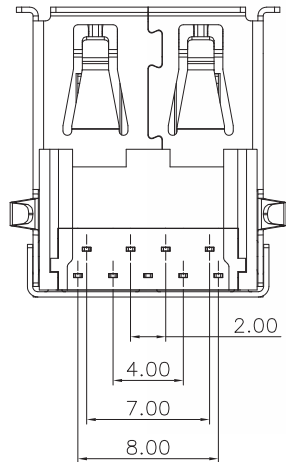
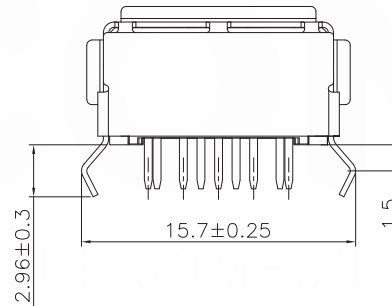
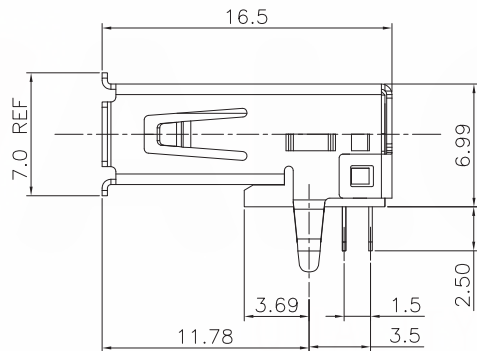
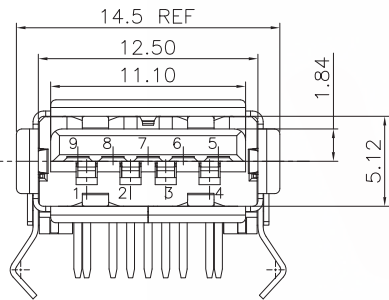
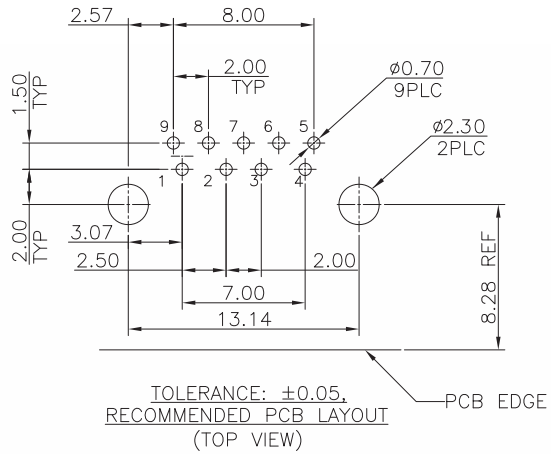
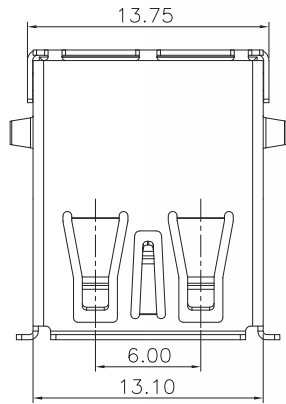


RoHS Compliant



PRODUCT CHARACTERISTICS:

1.MATERIAL

- 1.1 INSULATOR: POLYESTER RESIN,UL94V-0
- 1.2 CONTACT TERMINAL: COPPER ALLOY
- 1.3 SHELL: COPPER ALLOY

2.FINISH

- 2.1 CONTACT: OPTION
- 2.2 SHELL: Ni 80U"

3.SPECIFICATION

- 3.1 CURRENT RATING: 100mA
- 3.2 VOLTAGE RATING: 20mV
- 3.3 CONTACT RESISTANCE: ≤30mΩ/50mΩ
- 3.4 INSULATION RESISTANCE: ≥1000MΩ AT 500V DC
- 3.5 WITHSTANDING VOLTAGE: 100Vr.m.s, 0.5mA, 60s
- 3.6 MATING FORCE: 35N MAX;UNMATING FORCE: 10N MIN
- 3.7 OPERATING TEMPERATURE: -25℃~+70℃

4.STORING CONDITION

- TEMPERATURE: -10℃~+40℃
- RELATIVE HUMIDITY: ≤80%

5.RoHS AGREEMENT: CONTENT

= Places	TOLERANCES UNLESS		TOBY ELECTRONICS LTD				
	X. ± 0.50	X° ± 3'					
DIM NO. ☉	.X ± 0.30	.X° ± 2'	DESIGN:	DATE:	USB 3.0 AF 90° 板上 DIP 弯脚15.7 H=6.99 L=16.5 卷 边 锡脚长2.5		
SCALE: FIT	.XX ± 0.20	.XX° ± 1'	CHECKED:	DATE:			
SHEET: 1 OF 1	.XXX ± 0.10	.XXX° ± 0.5'	APPROVED:	DATE:	PART NO: VUSB3-A-S-G-TB-RA		
ECN. NO	REV	DATE	DESCRIPTION	CHANGED	APPROVED	UNIT: mm	SIZE: A4
A	18.07.05	NEW RELEASE	James				REV: A
						DWG NO: C0365-CNB-573-D201	

ECN. NO	REV	DATE	DESCRIPTION	CHANGED	APPROVED	UNIT: mm
	A	18.07.05	NEW RELEASE	James		

