



UNIVERSAL SERIAL BUS: KUSBVX Series
Vertical Top Entry USB

Product Features

- Vertical Top Entry
- Compatible with Many Computer Peripherals
- A and B Types Available
- Supports Hot Plugging
- Contact Area with Gold Plating
- CSA/NRTL Certified File No. LR78166
- UL File No. E134345

Performance Specifications

Materials and Finish

Insulator
PBT Thermoplastic, UL 94V-0 Rated, Black or White Color

Contacts

Copper Alloy

Contact Plating

Gold over Nickel on Contacts,
Tin over Nickel on Termination End

Shell

Copper Alloy, Tin Plating (Single)
Brass, Nickel Plating (Stacked)

Mechanical Characteristics

Insertion Force: 3.57kg Max.
Extraction Force: 1.02kg Min.
Durability: 1500 Mating Cycles Min.

Electrical Characteristics

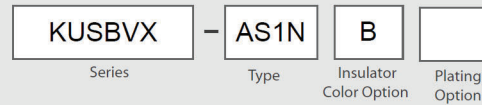
Rated Voltage: 30V AC
Rated Current: 1A
Contact Resistance: 30 milliohms Max
Insulation Resistance: 1000 Megohms Min.
Dielectric Withstanding Voltage: 500V AC For 1 Minute
Operating Temperature: See Drawing



Generated Part Number

KUSBVX-AS1N-B

Part Number Builder



Series

KUSBVX - Vertical Top Entry Universal Serial Bus

Type

- AS1N - A Type
- AS2N - Stacked A Type
- BS1N - B Type

Insulator Color Option

- B - Black
- W - White

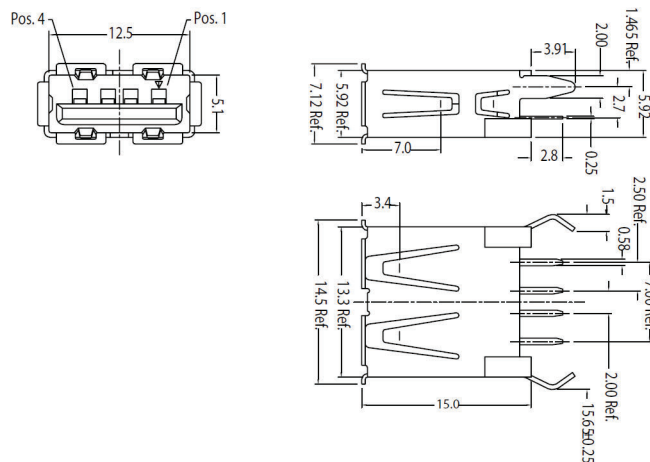
Plating Option

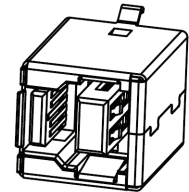
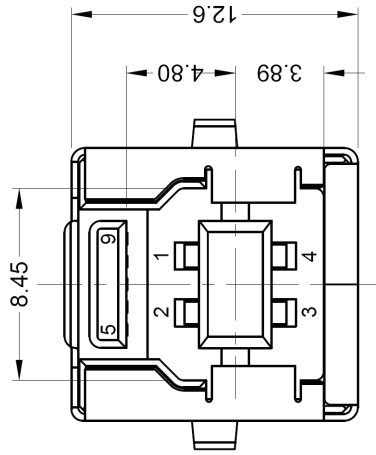
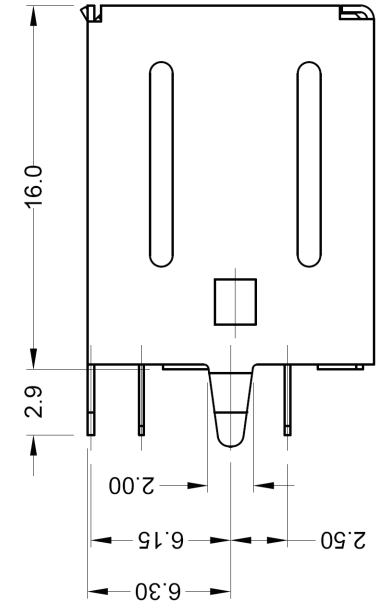
- Blank - Gold Flash
- 30 - 30µ" Gold Plating

KUSBVX Series

Dimensions in mm

KUSBVX-AS1N





Material and Finish

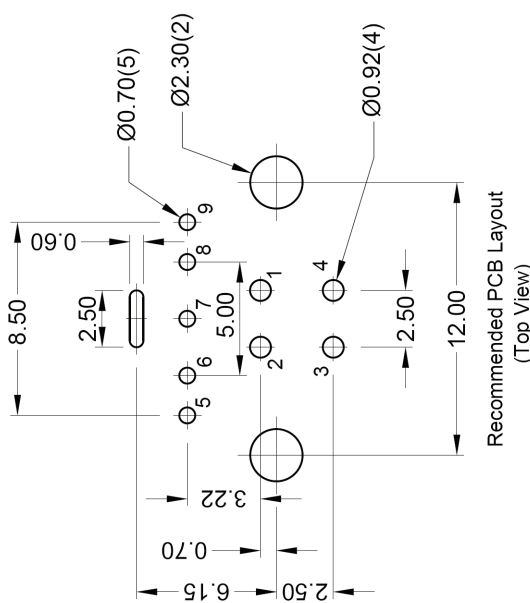
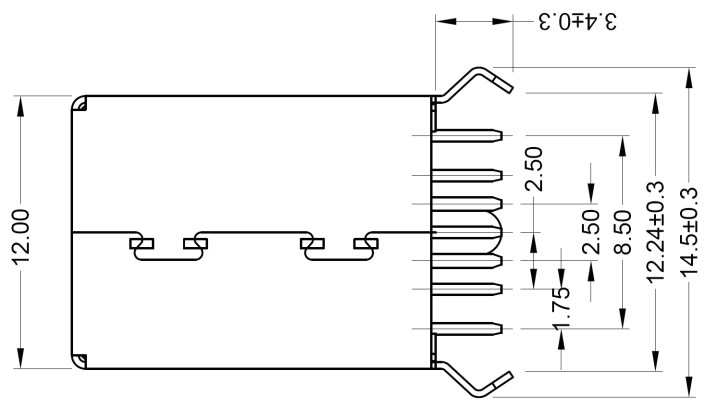
Insulator: PBT+30%GF UL94V-0
 Color: Blue
 Contact A (4 Pin): Phosphor Bronze;
 Contact B(5 Pin): Brass;
 Plating Options:
 30 Option: 30u" Gold plating
 over Nickel on contact area;
 Tin Plating on Solder Tail.
 Shell: Brass; Nickel Plating

Electrical Specification

Current Rating:
 1.8 Amp
 Insulation Resistance:
 100 Megohm Min.
 Contact Resistance:
 50 milliohm Max.
 Dielectric Withstanding Voltage:
 100V AC Min

Mechanical Characteristics

Insertion Force:
 2.5Kg Max
 Withdrawal Force:
 1.0-2.5Kg
 Durability:
 5000 Cycles
 Operating Temperature:
 -40°c to +85°c.



Pin Number	Signal Name
1	VBUS
2	D-
3	D+
4	GND
5	StdB_SSTX-
6	StdB_SSTX+
7	GND-DRAIN
8	StdB_SSRX-
9	StdB_SSRX+



Tolerances
X.X ± 0.35
X.XX ± 0.25
Unless Stated
Otherwise



Vertical Type B Receptacle
 USB 3.2 Gen 1, Blue, Through Hole

KUSBVX-BS1N9-BL30

REV.	DATE	DESCRIPTION	REV. BY	CHK. BY	DRAWN BY	DATE	UNITS
A3	08/25/11	ECO #11-058	S. Vlen	H. MA	S. Vlen	09/20/10	mm
A4	05/08/13	ECO #13-020	W. Cook	P. DalCanto			
A5	01/28/15	Update Description	H. MA	C. Furumatsu			
A6	03/02/17	Add Dimensions	G. Serrato	W. Cook			
A7	03/09/17	ECO#17-006	H. MA	W. Cook			
A8	01/05/21	ECO #21-001	C. Kelleher	C. Furumatsu			