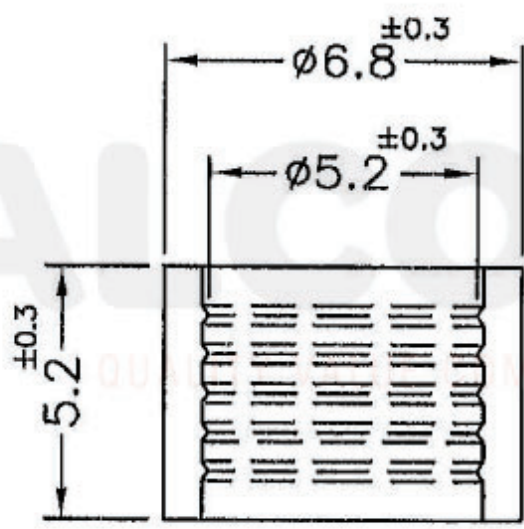
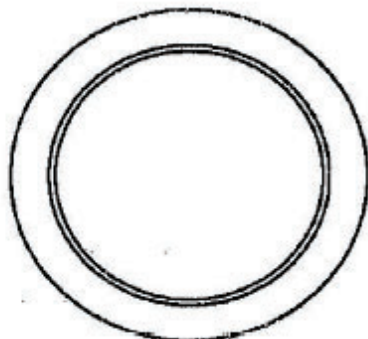


REVISIONS			
REV	DESCRIPTION	DATE	BY

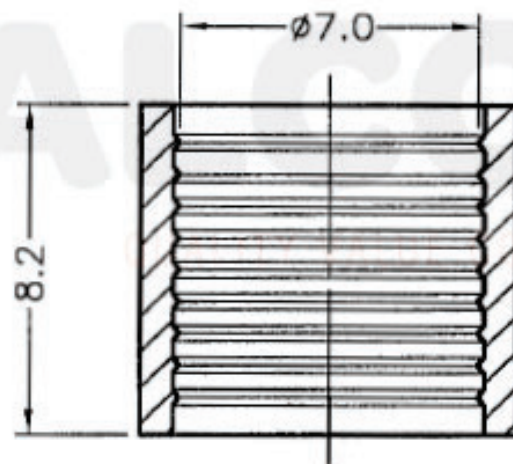
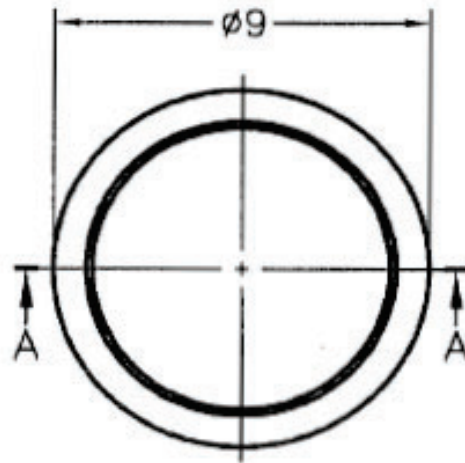


NOTE:MADE OF EQUIVALENT MATERIAL.

TOBY ELECTRONICS LTD sales@toby.co.uk   toby.co.uk				TITLE	LED HOLDER COVER	SPEC. DWG.		
				MATERIAL	NYLON 66 UL94V-2	DATE	2002.09.30	
PART NUMBER LC3-1T				DRAWING NUMBER LC3-1T(B)		FINISH	DRAWN	JASON
				COLOR	BLACK	CHECK		
SIZE A4	SCALE 4:1	UNIT mm	REV B	UNLESS OTHERWISE SPECIFIED TOLERANCE	SEE ABOVE	APPROVED		

DTM,	TOL.
5mm DOWN	±0.2
5~20mm	±0.3
20~40mm	±0.4
40~60mm	±0.5
60~100mm	±0.8
100mm UP	±1.0

REVISIONS			
REV	DESCRIPTION	DATE	BY



SECTION A-A

NOTE: All measurement does not include gate which raises under 0.3mm.

TOBY ELECTRONICS LTD sales@toby.co.uk   toby.co.uk				TITLE	LED HOLDER COVER	SPEC. DWG	
				MATERIAL	NYLON 66 UL94V-2	DATE	2002.02.27
PART NUMBER LC5-1T				DRAWING NUMBER LC5-1T		DRAWN	S.J.C.
				COLOR	BLACK	CHECK	
SIZE	A4	SCALE	4:1	UNIT	mm	REV	A
				UNLESS OTHERWISE SPECIFIED TOLERANCE	SEE ABOVE	APPROVED	