

15

1532 05

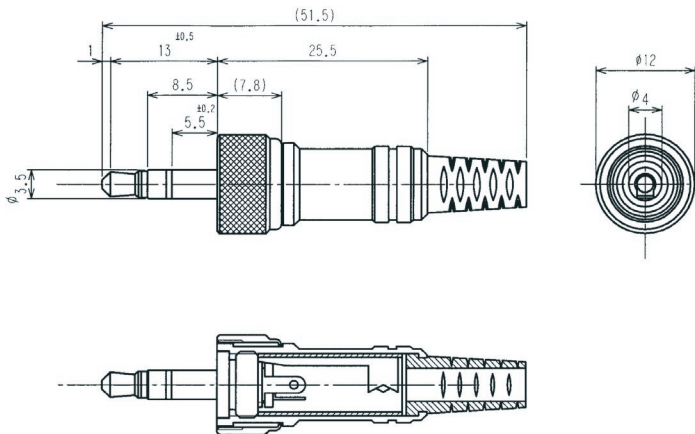
Jack connectors



Jack plug acc. to JIS C 6560 JC35P3, 3.5 mm, 3 poles/
stereo, with threaded joint, straight version, with metal
housing, bend protection and solder terminals

15

1532 05



Environmental conditions

Temperature range -20 °C/+70 °C

Materials

Insulating body	PC
Contact	CuZn/steel, nickel-plated
Insulation	POM
Housing	CuZn, nickel-plated
Knurled nut	CuZn, nickel-plated
Bend protection sleeve	PVC

Connectable conductors for solder area

Cable diameter 4 mm

Electrical data (at T_{amb} 20 °C)

Rated current	1 A
Rated voltage	34 V AC/DC
Rated impulse voltage	500 V/60 s
Insulation resistance	≥ 100 MΩ

Associated products

Counterparts
☞ 1502 04

15

1532 05

Designation	Pole Number	PU (Pieces)	MDQ (Pieces)
1532 05	3	100	200

Packaging:

in bulk, in a cardboard box or a plastic bag