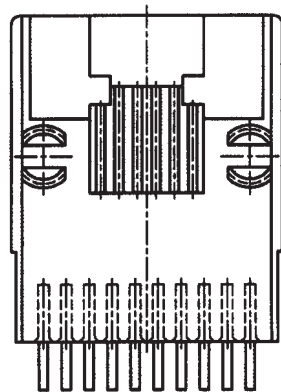
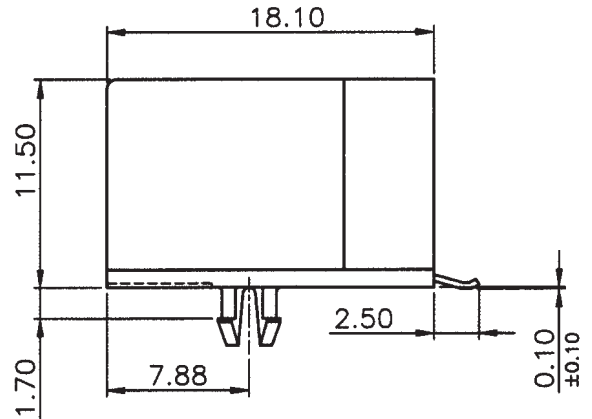
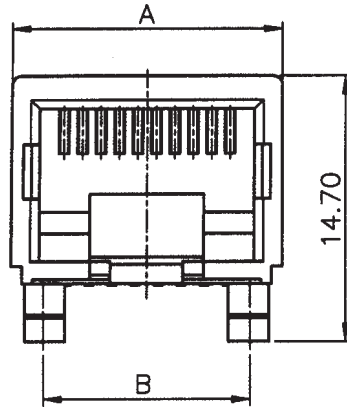
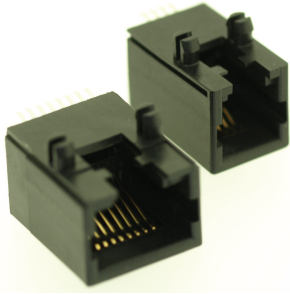
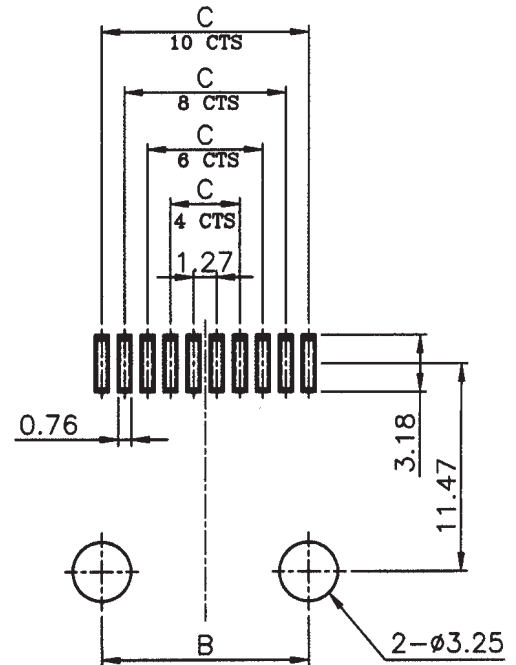


## Right Angle Modular Low Profile Surface Mount PCB Jacks 3004-xxxx-SMT Series

Surface Mount Unshielded Type with Through Board PCB Locating Pegs  
RoHS Compliant SMT Hi-Temp Solderable - Available Keyed or Non-keyed



No. of Positions	Dimensions		
	A	B	C
4	11.21	7.62	3.81
6	12.96	10.16	6.35
8	15.00	11.43	8.89
10	15.00	11.43	11.43



### Ordering Information:

#### 3004 - 4 4 2 1 - SMT

1 2 3 4

<b>Option 1</b>	No. of Positions	<b>4, 6, 8 &amp; 10</b>
<b>Option 2</b>	No. of Contacts	<b>2, 4, 6, 8 &amp; 10</b>
<b>Option 3</b>	Key Type	<b>1 = With Key</b> <b>2 = Without Key</b>
<b>Option 4</b>	Plating	<b>1 = Selective Gold</b>

### Specification:

Contact material:  
Contact plating:

Shield material:  
Housing:  
Insert Colour:

Phosphor Bronze  
6 micron (u") Option 4 no 1  
selective gold plated (standard)  
Copper alloy / Ni plated  
Thermoplastic UL94V-0 rated  
Black

\*Please note that some options may be subject to a minimum order quantity -

Please check online @ [www.toby.co.uk](http://www.toby.co.uk) for current stock items