



EDGE RATE
CONTACT

ERF5-050-01-L-D-RA-TR



(0.50 mm) .0197"

ERF5, ERF5-RA SERIES

RUGGED HIGH-SPEED SOCKET

Mates with:
ERM5

SPECIFICATIONS

For complete specifications and recommended PCB layouts see www.samtec.com?ERF5 or www.samtec.com?ERF5-RA

Insulator Material:

Black LCP

Terminal Material:

BeCu

Plating:

Au or Sn over

50 μm (1.27 μm) Ni

Current Rating (-DV to -DV):

1.5 A per pin

(2 pins powered)

Current Rating (-DV to -RA):

1.6 A per pin

(2 pins powered)

Operating Temp Range:

-55 °C to +125 °C

Voltage Rating:

194 VAC mated with ERM5

RoHS Compliant:

Yes

PROCESSING

Lead-Free Solderable:

Yes

SMT Lead Coplanarity:

(0.10 mm) .004" max (010-040)

(0.13 mm) .005" max (050-075)*

*(.004" stencil solution may be available; contact

IPG@samtec.com)

RECOGNITIONS

For complete scope of recognitions see www.samtec.com/quality



ALSO AVAILABLE (MOQ Required)

- Friction Lock (-DV only)
 - Weld Tab (-DV only)
 - Other platings
- Contact Samtec.

MATED HEIGHT*			
ERF5 LEAD STYLE	ERM5 LEAD STYLE		
	-02.0	-04.0	-05.0
-05.0	(7.00) .276	(9.00) .354	(10.00) .394
-07.0	(9.00) .354	(11.00) .433	(12.00) .472

*Processing conditions will affect mated height.

Notes:

Patented

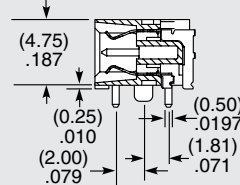
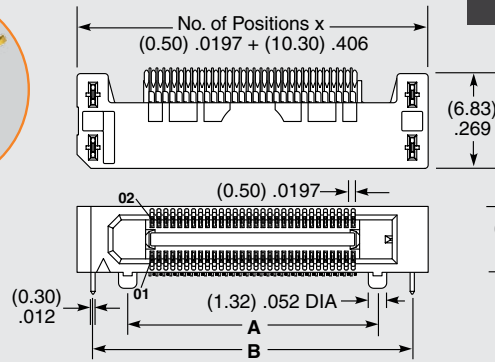
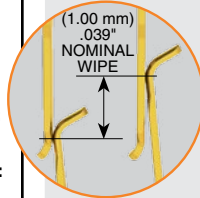
Some lengths, styles and options are non-standard, non-returnable.



-010, -020, -030, -040, -050

-L
= 10 μm (0.25 μm)
Gold on contact,
Matte Tin on tail

-TR
= Tape & Reel Packaging



NO. OF POSITIONS	A	B
-010	(8.00) .315	(13.00) .512
-020	(13.00) .512	(18.00) .709
-030	(18.00) .709	(23.00) .906
-040	(23.00) .906	(28.00) 1.102
-050	(28.00) 1.102	(33.00) 1.299

HIGH-SPEED CHANNEL PERFORMANCE

ERM5/ERF5 @ 7 mm Mated Stack Height

Rating based on Samtec reference channel.
For full SI performance data visit Samtec.com or contact SIG@samtec.com

28
Gbps



-010, -020,
-030, -040, -050,
-060, -070, -075

-05.0
= 5 mm
Body Height

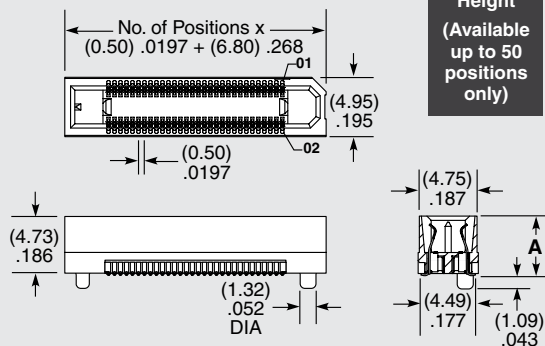
-07.0
= 7 mm
Body Height

(Available up to 50 positions only)

-L
= 10 μm
(0.25 μm)
Gold on contact,
Matte Tin on tail

-K
= (6.00 mm) .236" DIA
Polyimide Film Pick & Place Pad

-TR
= Tape & Reel Packaging



LEAD STYLE	A
-05.0	(4.91) .193
-07.0	(6.91) .272

POWER/SIGNAL APPLICATION



Compatible with UMPT/UMPS for flexible two-piece power/signal solutions