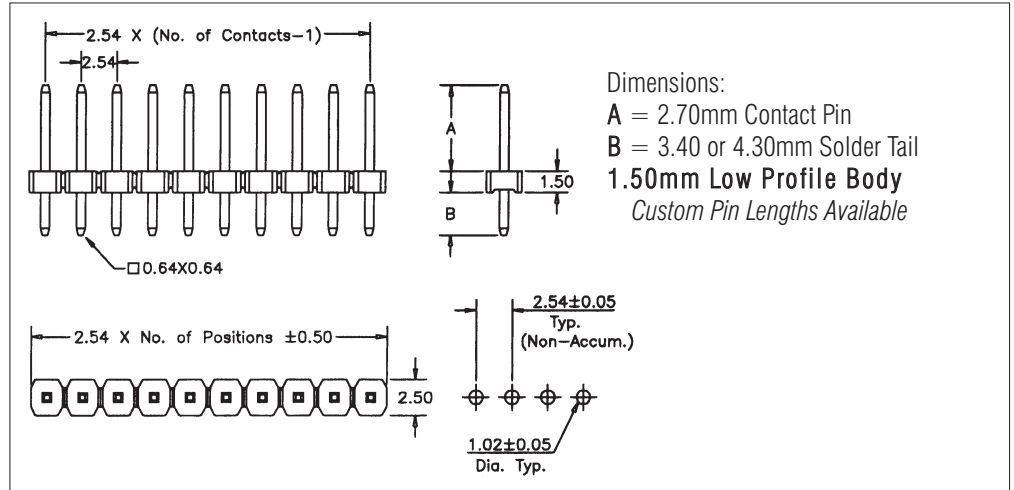
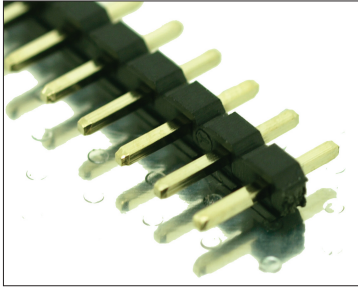


2.54mm Pitch Single Row Through Board Straight Low Profile Body PCB Mount Header LHCS-xxS-R-027-034(043) Series

2.54mm Pin Pitch - **1.50mm Body Height** - 2.70mm Contact Pin
Gold Flash Plated Contacts & 2 PCB Tail lengths (3.40 & 4.30mm)
From 1x1 to 1x40 Positions



Specification for LHCS-xxS-R-027-034(043) Series

Contact Material:	Brass
Contact Plating:	Gold Flash Plated
Body:	PBT UL94V-0 Rated Black
Rated Current:	3A - DWV - AC500V
Insulation Resistance:	5000 MΩ Max.
Operating Temperature:	-40°C to +105°C

Ordering Information for LHCS-xxS-R-027-034(043) Series

LHCS-xxS-R-027-034

1 2 3

Option 1 (xx)	Total number of contacts 01 (1x1) to 40 (1x40)
Option 2	Contact pin length 027 = 2.70mm (Standard)
Option 3	Solder tail length 034 = 3.40mm 043 = 4.30mm

Custom pin lengths available - please check at www.toby.co.uk or call us with your requirements - 01295 271777

Please note: Some lengths, styles & options are non-standard, non-returnable and may be subject to minimum order quantities.