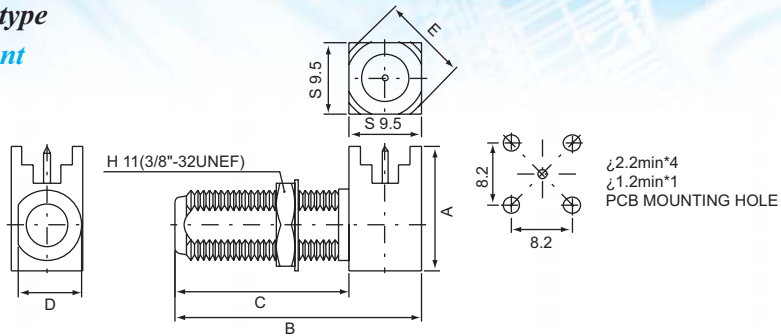
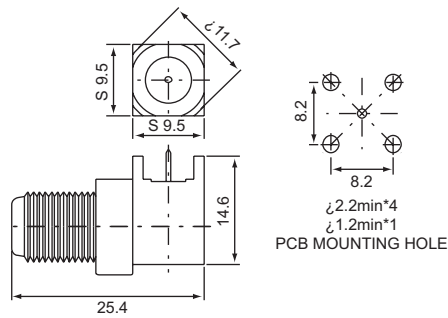


F FEMALE, Solder type
F-P225 PCB mount

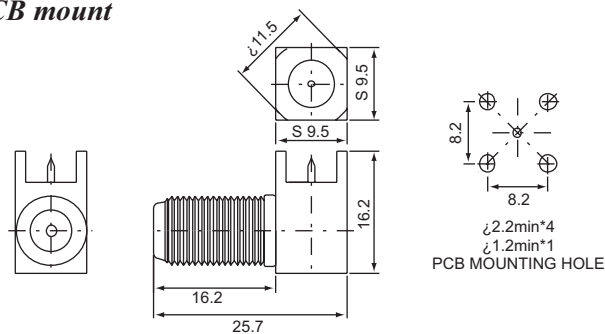


PART NO.	Ω	A	B	C	D	E	NOTE
F-P225	75	16.5	32.5	23	8.5	11.6	WITH OUT NUT&WASHER
F-P2255		16.5	24	14.5	8.5	11.6	WITH NUT&WASHER
F-P225/24		16.5	28	18.5	8.5	11.8	WITH OUT NUT&WASHER
F-P225/28		16.5	28	18.5	8.5	11.6	WITH NUT&WASHER
F-P225NW/28		16.5	28	18.5	8.5	11.8	WITH OUT NUT&WASHER
F-P225NW/28-1A		16.5	28	18.5	8.5	11.6	WITH NUT&WASHER
F-P225/28-1D		16.5	28	18.5	8.5	11.8	WITH OUT NUT&WASHER
F-P225NW/28-1D		16.5	28	18.5	8.5	11.8	WITH NUT&WASHER
F-P225/35.8		14.2	35.8	26.3	8.5	11.6	WITH OUT NUT&WASHER
F-P225NW/35.8		16.5	45.75	36.25	8.5	11.8	WITH NUT&WASHER
F-P225/36.25		16.5	45.75	36.25	8.5	11.8	WITH OUT NUT&WASHER
F-P225NW/36.25		16.5	45.75	36.25	8.5	11.8	WITH NUT&WASHER

F FEMALE, Solder type
F-P225-3A PCB mount

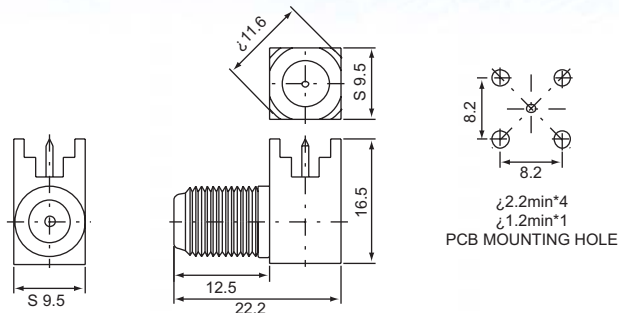


F FEMALE, Solder type PCB mount
F-P225SH

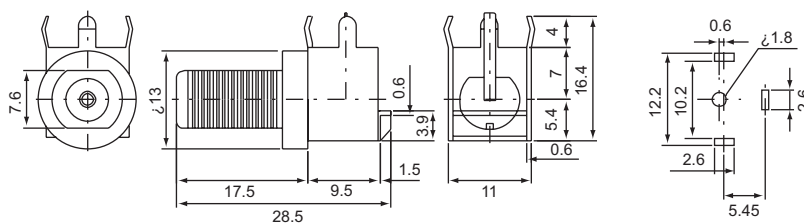


PART NO.	Ω	A	B
F-P225SH	75	25.5	16
F-P225SH/22		22	12.5

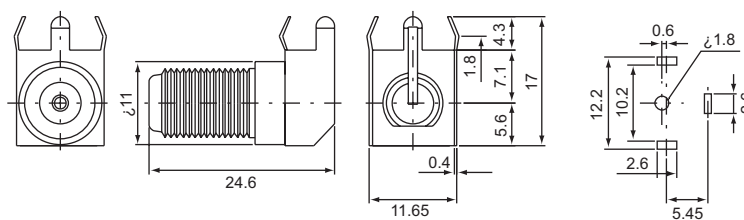
F FEMALE, PCB mount
F-P225SH/22-1



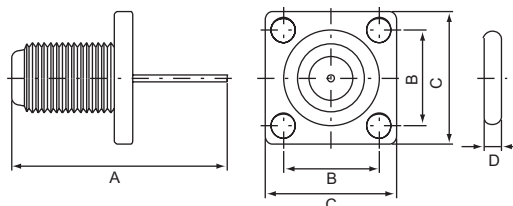
F FEMALE, PCB mount
F-P2253-1A



F FEMALE, PCB mount
F-P2253-2A



F FEMALE, Solder type
F-P245 panel receptacle



PART NO.	Ω	A	B	C	D
F-P245-25.4	75	31.9	18.3	25.4	
F-P245SWP-1C		28.6	12.7	17.5	1.8
F-P245-2C		31	12.7	17.5	